



TANEY COUNTY MISSOURI

Purchasing Department
132 David Street / P. O. Box 1630
Forsyth, Missouri 65653

► EMERGENCY EVENT PROCUREMENT

Taney County Emergency Procurement Policy (PER RSMo. # 50.780.2): Notwithstanding any other provisions of this Policy the Taney County Commission may waive the requirement of competitive bids or proposals for supplies when the County Commission has determined that there exists a threat to life, property, public health, or public safety or when immediate expenditure is necessary for repairs to County property in order to protect against further loss of, or damage to, County property, to prevent or minimize serious disruption in County services or to ensure the integrity of County records. Emergency procurements shall be made with as much competition as is practicable under the circumstances. After an emergency procurement is made by the County Commission, the nature of the emergency and the vote approving the procurement shall be noted in the minutes of the next regularly scheduled meeting. A written determination of the basis for the emergency and for the selection of the particular contractor shall be included in the contract file. As soon as practicable, a record of each emergency procurement shall be made including the contractor's name, amount and type of the contract, a listing of the item(s) procured under the contract. The County Purchasing Agent will assign a specific Emergency Event Procurement number ("EEP") for each event to cover all emergency purchases made within the necessary recovery timeframe as set by the Taney County Commission.

REQUEST FOR EMERGENCY PROCUREMENT – EEP#202301-518

DATE REQUESTED: Tuesday, January 10, 2023

EMERGENCY EVENT: Jail Door Sliders

ORIGINATING OFFICE: Taney County Sheriff's Office/Buildings & Grounds

PERSON(S) REQUESTING: Brad Daniels, Sheriff / Scott Terpening, B&G Supervisor

CONTACT PHONE : 417-546-7278/417-251-3221

UPON COMPLETION OF THIS FORM, PLEASE SUBMIT TO THE PURCHASING DEPARTMENT.

PURCHASING DEPARTMENT APPROVAL: *[Signature]* January 10, 2023
Signature Date

EMERGENCY EVENT PROCUREMENT NUMBER: **EEP#202301-518** (Assigned by Purchasing)

COMMISSIONER APPROVAL: *[Signature]* 1-17-2023
Signature Date

Emergency Event Recovery Date: Same as above as the emergency need will be relieved by this purchase.

Vendor Name	American Detention Services LLC
Vendor Address	P.O. Box 1863, Decatur, Alabama 35602
Vendor Phone	256-850-4141
Purchase Description	Replace both jail door sliders
Total Cost Covered Here	\$35,675

The following is a list of questions that must be answered when making emergency procurement requests. This is a formal document for submission to the Commission for the requesting department.

1. **Please describe the reason for the request of emergency procurement with respect to the threat to public health, welfare, or safety:** The Taney County Sheriff's Office along with our Buildings & Grounds Department reports complete failure of both of the jail door sliders. The cost to replace both devices is \$35,675.00. It is unique to our required operation and extremely critical with respect to the service it provides around the clock. It is imperative to repair these sliders as it provides access from the east pod to the west pod and continues to possess a security threat in the jail.
2. **Describe anticipated consequences of not procuring immediately:** Unreasonable and unnecessary costs to the County to outsource this operation, including a security risk to our correction officers. There is also a possibility of unrest within the jail population that could require additional manpower, possible repairs due to inmate vandalism and medical attention. This would cost Taney County much more revenue than to replace the devices.
3. **Describe and attach any quotes received:** The attached quote was received until Friday, December 30, 2022.
4. **Is this a one-time purchase?** **Yes** or **No**. If not, detail the anticipated future purchases with anticipated acquisition dates.

Thank you.

Nikki Lawrence,
 Director of Purchasing
 Taney County Missouri
 January 10, 2023



American Detention Services LLC
PO Box 1863
Decatur, AL 35602
Office: 256-850-4141
Mobile: 256-339-5206
email: lray@americandetention.com

December 30, 2022

Taney County Jail
Attn: Scott Terpening
Taney County Jail
266 Main Street
Forsyth, MO 65653
Tel: 417-546-7251
Cell: 417-251-3221
email: scottt@co.taney.mo.us

RE: QUOTE ON (2) ELECTRO-MECHANICAL SLIDING DEVICES

American Detention Services LLC is pleased to provide the following quote per your request.

Scope of Work:

American Detention Services LLC will furnish and install **qty: (2)** new RR Brink 57700 devices to fully replace (2) existing AirTeq 8220 devices. The new devices will consist of a new housing, new internal track/carriage components, new electronics, new lockpost w/dropbar, new bottom guide components, and a new mechanical release lock. The existing devices and associated housings will be removed and set aside for disposal or salvage by the facility. The existing doors are to be reused and mated to the new devices.

Project Total: \$35,675.00

Note: The new devices will require 120vAC to the housing location(s) for the drive motor. It will be the responsibility of the facility to have appropriate wiring in place prior to the time of installation. Wiring diagram, based on 120vAC motor voltage and 24vDC indication voltage, is attached for reference. If the desire is to move all motor and indication to 120vAC, please let us know and we will supply a corresponding wiring diagram.

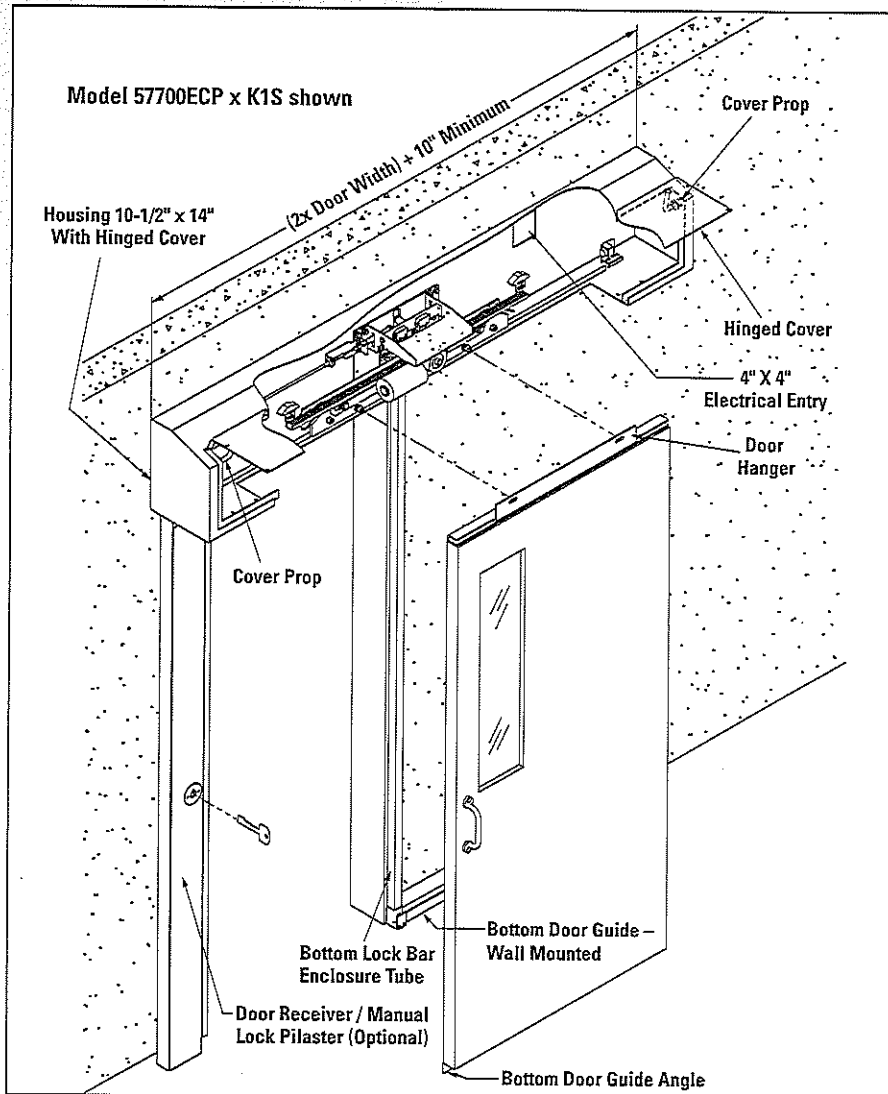
We appreciate the opportunity to provide you with this quote. Please feel free to contact us if you have any questions about this proposal, or any of our other products or services. We look forward to continued business with the Taney County Jail.

Sincerely,
American Detention Services LLC
Luke Ray
Project management/Engineering

57700

Sliding Door Operator for New Installations

A High-Security Locking and Operating System for Correctional Facilities



Built for Durability

All functional components of the 57700 are designed/selected to provide a long life cycle consistent with the frequent use and infrequent maintenance typical in many correctional facilities. Fabricated steel parts are zinc electroplated for corrosion resistance. The door rollers are of hardened steel and turn on permanently lubricated ball bearings.

An R.R. Brink Locking Systems proprietary motor controller and printed circuit relay board serve to control door travel direction and speed. The drive train is clutchless and door travel speed is adjustable electronically by a mechanism plate dial. When a door is blocked intentionally during travel, the pressing force is factory set at approximately 40 lbs and there is no potential for motor/drive train damage. It is possible to reverse door travel direction continuously and instantly without mechanism damage.

The motor, plug-in relays and switches are standard products of domestic manufacturers and are recognized by independent testing laboratories. They are factory wired to quick-disconnect plugs or terminal strips allowing ease of replacement. The standard 57700 unit operates on 115VAC line voltage. The gearmotor is a direct current, permanent magnet type with right angle reducer utilizing permanently lubricated bearings and gearbox. The gearhead power output is 1/8 HP, which is sufficient to unlock and move the weight of standard sized detention type doors. The door is attached to the drive train at all times and is never in a "free wheeling" condition.

Remote Operation

Typically, individual door remote electrical operation of the 57700 is activated from a control room switch console. A key switch can be provided for electric control at the door. Cell door rows can be controlled simultaneously or in a pre-selected group. Limit switches located on the mechanism plate serve to signal door condition (i.e. closed and deadlocked or open/unlocked) by pilot lights at the control panel).

Manual Override

A manual means is always provided to enable unlocking without electric power. With a corridor or passage door, it is customary to provide a cable linkage from a hip-high paracentric key lock located in a front door receiver pilaster. With a cell row, individual door unlocking via key or tool from the horizontal mechanism housing and /or remote manual all door (gang) unlocking from an end-of-row cabinet are typical. When manually unlocked, either at the door or remotely, the door can be moved easily by hand pushing. Importantly, the door is not disconnected from the drive train and, therefore, is never in a frictionless or freewheeling condition where slam force can inflict bodily injury to a person in the doorway.

Applications

The 57700 is used with new construction and for complete replacement of existing sliding corridor and cell door locking and operating devices. The locking and operating mechanism is contained in fabricated sheet steel housings that wall mount.

Unitary Design

Electrical and mechanical parts associated with the locking and movement of a door are contained on a single plate that is non-handed and, thus, easily replaced irrespective of door travel direction. (This feature allows the user to stock one spare mechanism plate as a precaution against a breakdown.) Two point, concealed deadlocking is effected at the edge of the door — top and bottom — in both the open and closed positions. An adjustable rubber bumper fixes the open door position.

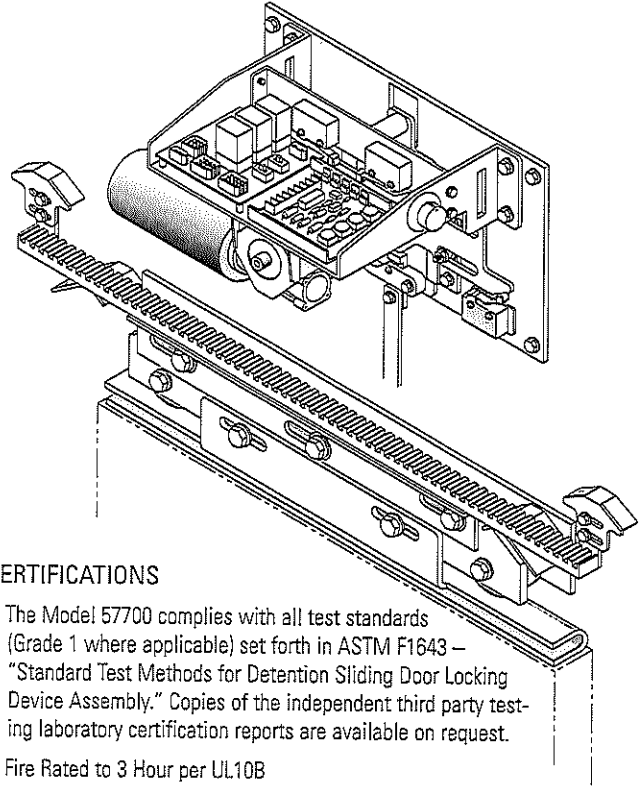


R.R. BRINK LOCKING SYSTEMS, INC.
500 Earl Road • Shorewood, IL 60404
Tel: 815-744-7000 • Fax: 815-744-7020
www.rrbrink.com

57700

Component Specification Standard (and optional) Door Locking and Operating Mechanism Components

- Motor drive/lock mechanism plate and door hanger/rack assembly. U.S. Patent No. 6,585,303.
- Mechanism Plate – zinc electroplated steel plate (9" x 15" x 1/4") contains all functional components for locking, operating and indicating status of a door. The assembly is non-handed and is easily accessible and removable.
- Gearmotor – standard 115VAC & 5 amp.
- Rack and pinion drive standard.
- Electric door controls – Door movement speed is adjustable via a mechanism plate knob (rheostat). Trimpots are provided to improve motor speed regulation and to set motor torque (i.e. a door's pressing force). An electro-mechanical clutch and/or mechanical torque limiter are not employed.
- Track – hardened steel round (9/16" diameter) welded in place.
- Door hanger – 1/4" formed steel construction with 3/16" vertical adjustment via eccentric bushings (2) and 1" horizontal slotted adjustment to compensate for field misalignments.
- Door rollers – two solid steel wheels (cell door 2-3/4" O.D., corridor door 3-3/4" O.D.) fitted with double shielded, permanently lubricated ball bearings. Attachment to door carriage via a high tensile strength steel bolt/lock washer/hex nut. Tandem roller assemblies provided for ≥ 450lb door.
- Bottom door guide angle and wall guide – 1/4" thick steel construction.
- Top lock bolt – 7/8" diameter stainless steel
- Bottom lock – cast iron body encloses 13/16" diameter stainless steel locking ball.
- Door status indication switch – 15 amp @ 125VAC
- Vertical door receiver/manual lock pilaster (optionally furnished with a manual paracentric key and/or electric key switch hip-high unlock control) – formed from 10 ga. sheet steel with 10 ga. steel cover plates attached with pinned Torx® security screws. Hard rubber bumpers (2) are incorporated in the receiver surface to cushion the impact of a closing door.
- Housing sheet metal – primed for paint, standard. Zinc electroplate (electrogalvanize) finish available when specified (e.g. exterior installations).



CERTIFICATIONS

- The Model 57700 complies with all test standards (Grade 1 where applicable) set forth in ASTM F1643 – “Standard Test Methods for Detention Sliding Door Locking Device Assembly.” Copies of the independent third party testing laboratory certification reports are available on request.
- Fire Rated to 3 Hour per UL10B

Standard Mechanism Housing Material and Construction

- Horizontal housing – formed from 3/16" thick steel sheet. Openings are baffled to block the insertion of foreign objects.
- Mechanism access cover – formed from 1/8" thick steel sheet, hinged for easy access and provided with hold-open cover props. Attachment to the horizontal housing is via pinned Torx® security screws. (Optionally, a common lock bar operated from a remote mechanical release cabinet can secure cell row housing covers.)
- Vertical lock bar enclosure – 10 ga. x 1-1/2" square steel tube

Ordering Information:

1. Consult R.R. Brink Locking Systems, Inc. (RRBLS) technical service personnel when planning a 57700 installation. Provide door construction, size and approximate weight including glazing (door width and weight limit 6'-0" and 1000lbs, respectively - not suitable for vehicle gates). A door 450lb to 1000lb requires special reinforcement. Unless otherwise agreed, it is the responsibility of the RRBLS customer (e.g. contractor, end user) to provide accurate field dimensions. Upon acceptance of an order, RRBLS will prepare and issue a setting plan drawing for customer approval prior to initial fabrication.
Standard design devices for cell doors **not** to exceed 300lbs.
Standard design devices for corridor doors **not** to exceed 450lbs.
For special door size/weight: contact the factory.

NOTICE: Unless specifically included by an RRBLS bill of material and/or quotation, miscellaneous metalwork (e.g. masonry mounting plate embeds, closure plates, and shims) is by others.

2. The standard RRBLS product warranty is the earliest of one (1) year from the project turnover date or eighteen months from shipment date inclusive of defects in factory supplied labor and material only and excludes operational failure due to faulty installation labor by others and/or abusive use (see the RRBLS Product® Warranty Policy catalog page).

3. When ordering or specifying the 57700, indicate feature options as follows:
 - a) No. 57700CD/F or U typically specified for cell doors with bent plate door receiver (i.e. no vertical manual lock/door receiver pilaster) and mechanical door unlocking from the overhead horizontal mechanism housing. For latter means, select either unlocking access from the front of the housing via tool from a lockable port (suffix "F") or via paracentric key from the underside of the housing (suffix "U"). (Add a lockable mechanical release cabinet(s) for a cell row(s) requiring all door remote mechanical unlocking. Add wire raceway(s) and, if required, harness(s) for a cell row(s) not designed with individual conduit feeds.)
 - b) No. 57700ECP x K1S (or K2S) – usually specified for corridor/entrance doors with hip high manual paracentric key lock release in front door receiver pilaster – keyed one (K1S) or two (K2S) sides of doorway.
 - c) No. 57700ECP x K1S (or K2S) x 1KSC (or 2KSC) – same as b) with the addition of a commercial cylinder key switch(s) on one or two sides of doorway.
 - d) No. 57700ECP x K1S (or K2S) x 1KSM (or 2KSM) – same as b) with the addition of an RRBLS mogul cylinder key switch(s) on one or two sides of doorway.
 - e) No. 57700ECP x K1S (or K2S) x 1KSP (or 2KSP) – same as b) with the addition of a RRBLS paracentric cylinder key switch(s) on one or two sides of doorway.

R.R. BRINK LOCKING SYSTEMS, INC.

500 Earl Road • Shorewood, IL 60404
Tel: 815-744-7000 • Fax: 815-744-7020
www.rrbrink.com
Email: rbrink@rrbrink.com



